



6581 Kitimat Rd. Unit #6 Mississauga, Ontario L5N 3T5
 1-800-SENSOR2, FAX: 905-812-0772
 www.systemsensor.ca

MP120KA 120 VAC Adapter Mounting Plate

Specifications

General Specifications

Standard Operating Temperature:	-40°C to 66°C (-40°F to 151°F)
Humidity Range:	10 to 98% non-condensing
Nominal Voltage:	Regulated 120 VAC
Operating Voltage Range:	96-132 VAC
Current Draw From AC Line:	150 mA max.

MP120KA may be used with any of the following products, at all horn and strobe settings:

Models for Indoor applications (flush mount only): P2RA, P2RHA, P2WA, P2WHA, SRA, SRHA, SWA, SWHA, PC2RA, PC2RHA, PC2WA, PC2WHA, SCRA, SCRHA, SCWA, SCWHA, HRA, HWA, CHRA, CHWA, CHSRA, CHSWA

Models for Outdoor applications: P2RKA, P2RHKA, SRKA, SRHKA, PC2RKA, PC2RHKA, SCRKA, SCRHKA, HRKA

The products in this manual may be covered by one or more of the following patents: 5,914,665; 5,850,178; 5,598,139; 6,049,446; 6,522,261; 6,661,337; 6,822,400; 6,833,783; 6,856,241.

General Description

The MP120KA mounting plate is designed to allow the use of 120 VAC to power SpectraAlert Advance horns, strobes, horns/strobes, chimes, and chime/strobes. The MP120KA consists of a SpectraAlert Advance mounting plate that has been fitted with a power supply that converts 120VAC to nominal 24V FWR.

The MP120KA must be installed using a 120 VAC power source. This unit can only be used for non-synchronous applications; it will NOT work with SpectraAlert Sync•Circuit Modules and is not to be used in CAN/ULC-S527 applications which is for fire alarm systems.

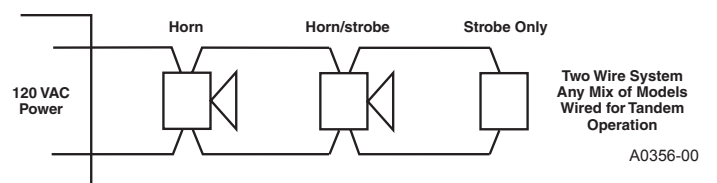
NOTICE: This manual shall be left with the owner/user of

this equipment.

Wiring

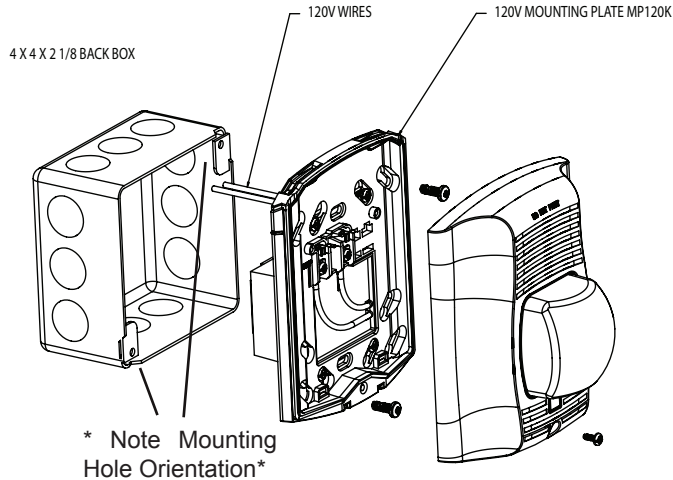
This module has pig-tail wires and is intended to be wired without rigid connections inside a standard electrical box.

Figure 1. Non-synchronized devices; any combination of models powered by a 2-wire circuit.



Mounting

Figure 2.



A0357-00

Mounting (Wall or Ceiling)

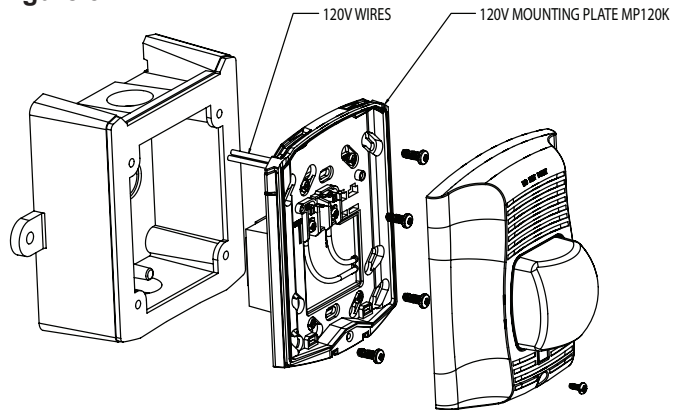
1. For indoor applications, attach the mounting plate as shown in **Figure 2**. The mounting plate is compatible only with 4 × 4 electrical boxes. The 4x4 electrical box must be mounted with its mounting holes on the side as shown in figure 2.

NOTE: The MP120KA is not weatherproof. When used in an outdoor application, the product must be installed using the proper SpectrAlert Advance watertight junction box and an outdoor listed horn/strobe. The wall mount watertight junction box must be mounted with its internal post in the lower left corner as shown in **Figure 3**.

2. Complete field wiring.
3. If the product is not to be installed at this point, use the cover to prevent contamination of the wiring terminals of the mounting plate.
4. To attach product to mounting plate, hook tabs on the product housing into the grooves on mounting plate. Then, swing product into position to engage the pins on the product with the terminals on the mounting plate. Make sure that the tabs on the back of the product housing fully engage with the mounting plate.
5. Secure product by tightening the single mounting screw in the front of the product housing.

NOTE: Standard captured mounting screw may be replaced with enclosed torx screw for tamper resistance.

Figure 3.



Please refer to insert for the Limitations of Fire Alarm Systems

Three-Year Limited Warranty

System Sensor warrants its enclosed unit to be free from defects in materials and workmanship under normal use and service for a period of three years from date of manufacture. System Sensor makes no other express warranty for this unit. No agent, representative, dealer, or employee of the Company has the authority to increase or alter the obligations or limitations of this Warranty. The Company's obligation of this Warranty shall be limited to the repair or replacement of any part of the unit which is found to be defective in materials or workmanship under normal use and service during the three year period commencing with the date of manufacture. After phoning System Sensor's toll free number 800-SENSOR2 (736-7672) for a Return Authorization number, send defective units postage prepaid to: System Sensor, Repair Department, RA # _____, 6581 Kitimat Rd., Unit #6, Mississauga,

Ontario, L5N 3T5. Please include a note describing the malfunction and suspected cause of failure. The Company shall not be obligated to repair or replace units which are found to be defective because of damage, unreasonable use, modifications, or alterations occurring after the date of manufacture. In no case shall the Company be liable for any consequential or incidental damages for breach of this or any other Warranty, expressed or implied whatsoever, even if the loss or damage is caused by the Company's negligence or fault. Some states do not allow the exclusion or limitation of incidental or consequential damages, so the above limitation or exclusion may not apply to you. This Warranty gives you specific legal rights, and you may also have other rights which vary from state to state.

FCC Statement

SpectrAlert Strobes and Horn/Strobes have been tested and found to comply with the limits for a Class B digital device, pursuant to part 15 of the FCC Rules. These limits are designed to provide reasonable protection against harmful interference when the equipment is operated in a commercial environment. This equipment generates, uses,

and can radiate radio frequency energy and, if not installed and used in accordance with the instruction manual, may cause harmful interference to radio communications. Operation of this equipment in a residential area is likely to cause harmful interference in which case the user will be required to correct the interference at his own expense.

- This Class B digital apparatus complies with Canadian ICES-003