

1451A Plug-in Ionization Smoke Detector



SYSTEM SENSOR®



6581 Kitimat Rd., Unit #6, Mississauga, Ontario, L5N 3T5

1-800-SENSOR2, FAX: 905-812-0771

WWW.SYSTEMSENSOR.CA

Specifications

Size

Height: 2.4 inches (6.1 cm)

Diameter: 4.0 inches (10.1 cm)

Weight: 0.6 lb. (277 g)

Operating Temperature Range: 0° to +49°C (32° to 120°F)

Operating Humidity Range: 10% to 93% Relative Humidity Non-condensing

Latching Alarm: Reset by momentary power interruption.

Before installing

Please thoroughly read the System Sensor manual I56-407, *Applications Manual for System Smoke Detectors*, which provides detailed information on detector spacing, placement, zoning, wiring, and special applications. Copies of this manual are available at no charge from System Sensor. Please also refer to CAN/ULC-S524, *Standard for the Installation of Fire Alarm Systems*, and CEC Part 1, Sec. 32..

NOTICE: This manual should be left with the owner/user of this equipment.

IMPORTANT: This sensor must be tested and maintained regularly following CAN/ULC-S536 requirements. This sensor should be cleaned at least once a year.

General Description

Model 1451A dual chamber ionization detectors utilize state-of-the-art, unipolar sensing chambers. These detectors are designed to provide open area protection, and to be used with compatible ULC-listed control panels only. The capability of plugging these detectors into a variety of special bases makes them more versatile than equivalent direct-wired models.

Two LEDs on each detector light to provide a local 360° visible alarm indication. Remote LED annunciator capability is available as an optional accessory. These detectors also have the latching alarm feature. The alarm can be reset only by a momentary power interruption. For testing, these detectors have an internal magnetically activated reed switch.

Spacing

Spacing of 30 ft. on a smooth ceiling as per CAN/ULC-S524. Where conditions or response requirements vary, other spacing may apply.

Base Selection And Wiring Guide

Refer to the installation instructions for the plug-in detector bases for wiring instructions. System Sensor has available a variety of detector bases for this smoke detector, including 2-wire applications with and without relays and/or current limiting resistors, 4-wire and 120VAC applications. Compatible base models are B401, B401BA, B401BR-750, B402BA, B404BA, B406BA and B406BRA.

All bases are provided with screw terminals for power, ground, remote annunciator connections, and relay contact connections, if applicable. The electrical ratings for each detector-base combination are also included in the base installation instructions.

Installation

NOTE: All wiring must conform to applicable local codes, ordinances, and regulations.

NOTE: Verify that all detector bases are installed, that the initiating-device circuits have been tested, and that the wiring is correct.

CAUTION

Remove power from initiating-device circuits before installing detectors.

1. Install Detectors:

- a. Place the detector into the detector base.
- b. Turn the detector clockwise until the detector drops into place.
- c. Continue turning detector clockwise to lock it in place.

2. Tamper-proof Feature

The detector bases include a feature that, when activated, prevents removal of the detector without the use of a tool. See the installation instruction manual of the detector base for details in using this feature.

3. After all detectors have been installed, apply power to the control unit.

4. Test the detector as described under TESTING.

5. Reset the detector at the system control panel.

6. Notify the proper authorities that the system is in operation.

CAUTION

Dust covers can be used to help limit dust entry to the detector, but they are not a substitute for removing the detector during building construction. Remove any dust covers before placing system in service.

Testing

Before testing, notify the proper authorities that the smoke detector system is undergoing maintenance and will temporarily be out of service. Disable the zone or system undergoing maintenance to prevent unwanted alarms.

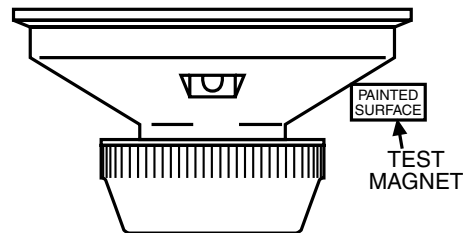
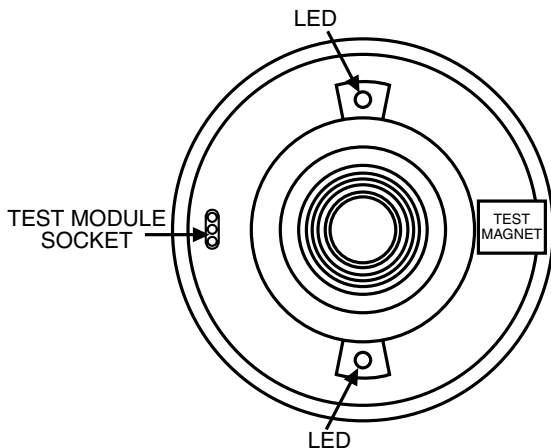
Detectors must be tested after installation and periodic maintenance. The 1451A may be tested as follows:

Before testing the detector, look for the presence of the flashing LEDs. If they do not flash, either power has been lost to the detector (check the wiring), or it is defective (return for repair).

A. Test Magnet (System Sensor Model No. M02-04-00)

- 1. Place the magnet against the cover opposite the test module socket. (See Figure 1.)
- 2. The LEDs on the detector should latch on within 30

Figure 1. Botom and side views showing test magnet position:



A78-1161-00

B. Test Module (System Sensor Model No. MOD400R)

The MOD400 or MOD400R is used with a digital or analog voltmeter to check the detector sensitivity as described in the test module's manual.

C. Aerosol Generator (Gemini 501)

Set the generator to represent 4%/ft. to 5%/ft. obscuration as described in the Gemini 501 manual. Using the bowl shaped applicator, apply aerosol until unit alarms.

Notify the proper authorities that the system is back on line.

Detectors that fail these tests should be cleaned as described under MAINTENANCE and retested. If the detectors still fail these tests they should be returned for repair.

Maintenance

It is recommended that the detector be removed from its mounting base to facilitate easier cleaning. The detector is cleaned as follows:

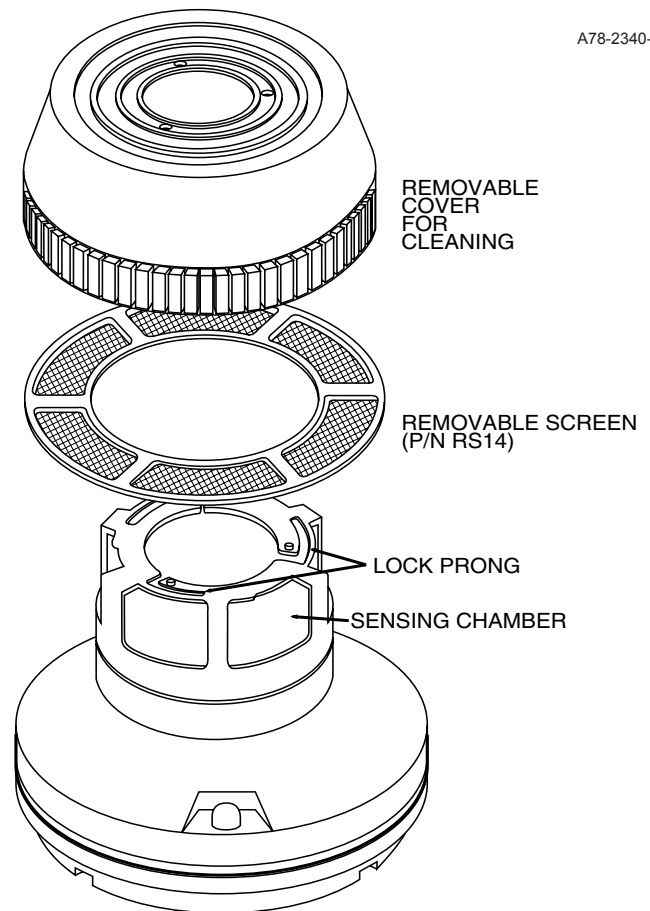
NOTE: Before removing the detector, notify the proper authorities that the smoke detector system is undergoing maintenance, and will temporarily be out of service. Disable the zone or system undergoing maintenance to prevent unwanted alarms.

1. Remove the detector screen and cover assembly by depressing the three lock prongs on the top of the cover, rotating the cover counterclockwise, and pulling the screen and cover assembly away from the detector. (See Figure 2.) Usage of a System Sensor CRT400 cover removal tool is recommended.
2. Remove the screen from the cover.
3. Use a vacuum cleaner to remove dust from the screen, the cover, and the sensing chamber.
4. After cleaning, snap the screen into the cover, then

place the cover and screen assembly on the detector, turning clockwise until it is locked in place.

5. Reinstall the detector.
6. Test the detector as described under TESTING.
7. Notify the proper authorities that the system is back on line.

Figure 2:



Please refer to insert for the Limitations of Fire Alarm Systems

Three-Year Limited Warranty

System Sensor warrants its enclosed smoke detector to be free from defects in materials and workmanship under normal use and service for a period of three years from date of manufacture. System Sensor makes no other express warranty for this smoke detector. No agent, representative, dealer, or employee of the Company has the authority to increase or alter the obligations or limitations of this Warranty. The Company's obligation of this Warranty shall be limited to the repair or replacement of any part of the smoke detector which is found to be defective in materials or workmanship under normal use and service during the three year period commencing with the date of manufacture. After phoning System Sensor's toll free number 1-800-SENSOR2 (736-7672) for a Return Authorization number, send defective units postage prepaid to: System Sensor, Repair Department, RA # _____, 6581 Kitimat Rd., Unit #6, Mississauga, Ontario, L5N 3T5. Please include a note describing the malfunction and suspected cause of failure. The Company shall not be obligated to repair or replace units which are found to be defective because of

damage, unreasonable use, modifications, or alterations occurring after the date of manufacture. In no case shall the Company be liable for any consequential or incidental damages for breach of this or any other Warranty, expressed or implied whatsoever, even if the loss or damage is caused by the Company's negligence or fault. Some legislations do not allow the exclusion or limitation of incidental or consequential damages, so the above limitation or exclusion may not apply to you. This Warranty gives you specific legal rights, and you may also have other rights under common law.