

SP100C Series Speakers for Fire Protective Signalling Systems



**SYSTEM
SENSOR®**



6581 Kitimat Rd. Unit #6 Mississauga, Ontario L5N 3T5
1-800-SENSOR2, FAX: 905-812-0772
www.systemsensor.ca

Specifications

Mechanical

Input Terminals:	12 to 18 AWG (3.31 to 0.82 mm ²)
Speaker Size:	4 inches (101 mm)
Grille Size	
Round:	6 7/8" (187 mm)

Electrical

Voltage Input:	SP100C-25: 25 VRMS; SP100C-70: 70.7 VRMS (nominal)
Frequency Range:	400 - 4000 Hz
Operating Temperature Range:	32° to 120°F (0° to 49°C)
Power:	1/4, 1/2, 1 and 2 Watts
Listings:	ULC S541

NOTICE: This manual shall be left with the owner/user of this equipment.

General Description

The National Fire Protection Association (NFPA) and CAN/ULC S524 has published standards and recommended practices for the speakers described in this manual. As a result, the installer must be familiar with these requirements as well as all local codes and special requirements of the authority having jurisdiction.

SP100C series speakers include two kinds of products, SP100C-25 (input voltage 25VRMS) and SP100C-70 (input voltage 70.7 VRMS).

The speakers operate at any one of four input power levels. The output sound level is selected at the time of installation, but can be changed, if necessary. The speaker is also equipped with a capacitive input to allow for DC supervision.

Installation

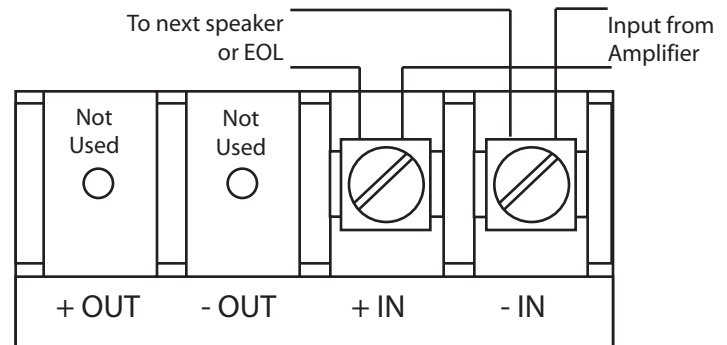
All wiring must be installed in compliance with the Canadian Electrical code and applicable local codes as well as special requirements of the authority having jurisdiction, using the power wire size. This also includes all applicable NFPA Standards and CAN/ULC S524.

Electrical

1. Connect the speaker as shown in Figure 1.

Note I : Do NOT loop electrical wiring under terminal screws. Wires connecting the device to the control panel must be broken at the device terminal connection in order to maintain electrical supervision.

Figure 1. Electrical connections:



2. Figure 2 as an example of how to select a 1/4 Watt input, you can use the plug to select the different Watt input.

Figure 2. Power Level Setting:

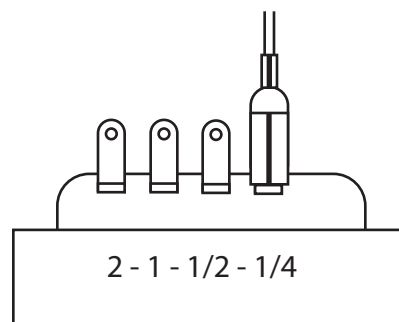


Table 1: Sound Levels for Each Transformer Tap.

	2W	1W	1/2W	1/4W
25 VRMS	87	84	81	78
70 VRMS	87	84	81	78

Anechoic (dBA @ 10ft.)

**Table 2: Directional Characteristics.
(Horizontal and Vertical, 25 and 70 VRMS)**

	ANGLE (Degrees)
-3dB	32°
-6dB	73°

Mounting

See Figure 3. The speaker can be flush mounted on a 4x4x 2 1/8 square box or round back box, as follows:

A. Use two 8-32 X 1-3/4" screws, provided, to attach the speaker to the back box. Then attach the screw cap.

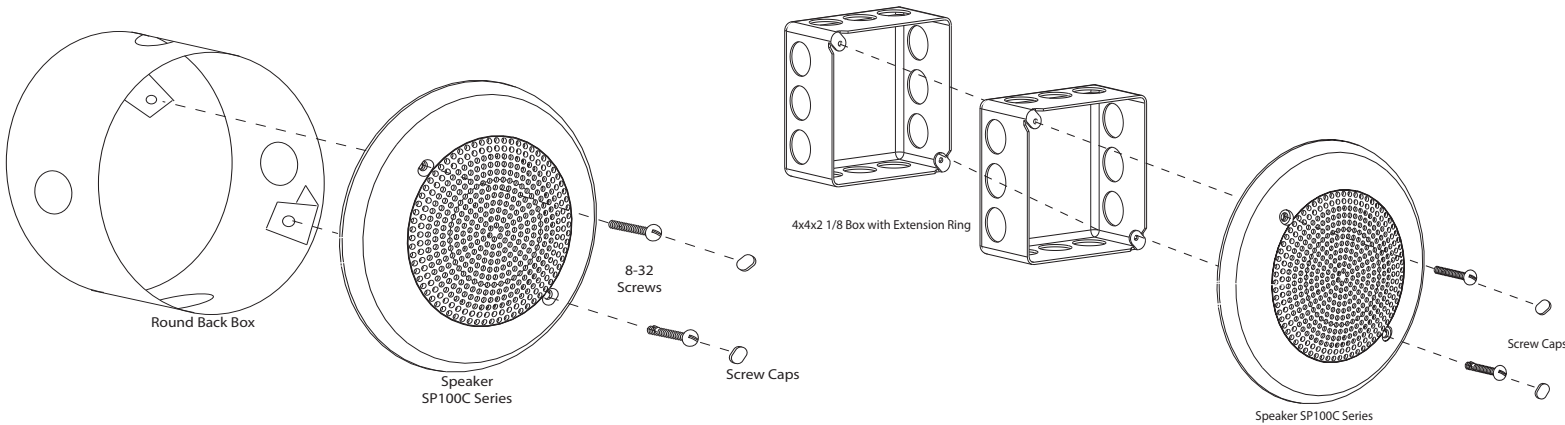
CAUTION

1. Signal levels exceeding 130% rated signal voltage can damage the speaker. Incorrect power input may damage the speaker.
2. Factory applied finishes are not be be changed or altered in any way.

Mechanical

Two screws are included for attaching the speaker to the back box.

Figure 3:



Please refer to insert for the Limitations of Fire Alarm Systems

Three-Year Limited Warranty

System Sensor warrants its enclosed unit to be free from defects in materials and workmanship under normal use and service for a period of three years from date of manufacture. System Sensor makes no other express warranty for this unit. No agent, representative, dealer, or employee of the Company has the authority to increase or alter the obligations or limitations of this Warranty. The Company's obligation of this Warranty shall be limited to the repair or replacement of any part of the unit which is found to be defective in materials or workmanship under normal use and service during the three year period commencing with the date of manufacture. After phoning System Sensor's toll free number 800-SENSOR2 (736-7672) for a Return Authorization number, send defective units postage prepaid to: System Sensor, Repair Department, RA # _____, 6581 Kitimat Rd., Unit #6, Mississauga, Ontario, L5N 3T5. Please include a note describing the malfunction and suspected cause of failure. The

Company shall not be obligated to repair or replace units which are found to be defective because of damage, unreasonable use, modifications, or alterations occurring after the date of manufacture. In no case shall the Company be liable for any consequential or incidental damages for breach of this or any other Warranty, expressed or implied whatsoever, even if the loss or damage is caused by the Company's negligence or fault. Some states do not allow the exclusion or limitation of incidental or consequential damages, so the above limitation or exclusion may not apply to you. This Warranty gives you specific legal rights, and you may also have other rights which vary from state to state.