



## SP100C Series Evacuation Speakers

*System Sensor's SP100C series speakers provides the features and performance required for fire protective signalling devices along with an aesthetically pleasing look ideal for residential markets.*



### Features

---

- 25.0 and 70.7 Vrms models
- Four field-selectable power taps
- Low profile design
- Ceiling mount
- Colour matched mounting screw covers
- Closed-back speaker design

These speakers use a closed-back speaker for added protection and provide field selectable taps of ¼, ½, 1 and 2 watts. Installation ease and functionality are achieved by the SP100C's compact design which allows flush mounting to a standard round back box for 4" speakers.

### Architectural/Engineering Specifications

Speaker shall be a System Sensor Model \_\_\_\_\_ speaker capable of operating at 25.0 (70.7) nominal Vrms. Speaker shall be listed to Underwriter's Laboratories of Canada Standard S541 for fire protective signaling systems. Speaker shall have a frequency range of 100 to 10,000 Hz and shall have an operating temperature between 32° and 120° F. Speaker shall have selectable power taps, and colour matched mounting screw covers so mounting screws and not visible after installation.

### Agency Listings

---

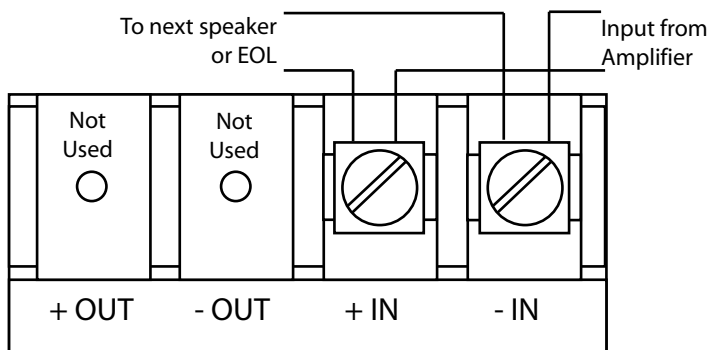


# SP100C Series Speakers Specifications

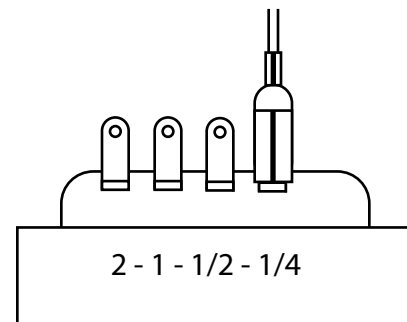
Physical Specifications	
Speaker Size	4 inches (101 mm)
Grill Size	Round 7 inches (178 mm)
Input Terminals	12 to 18 AWG
Electrical Specifications	
Operating Temperature Range	0°C to 49°C (32°F to 120°F)
Frequency Range	400 to 4000 Hz (The SP100C Series is ULC listed from 400 to 4000 Hz, but will provide and output from 100 to 10,000 Hz.)
Voltage Input	25.0 volts or 70.7 volts nominal
Power	1/4, 1/2, 1 and 2 watts

Sound Output	2W	1W	1/2W	1/4W
Anechoic (dBA @ 10 ft.)	87	84	80	78

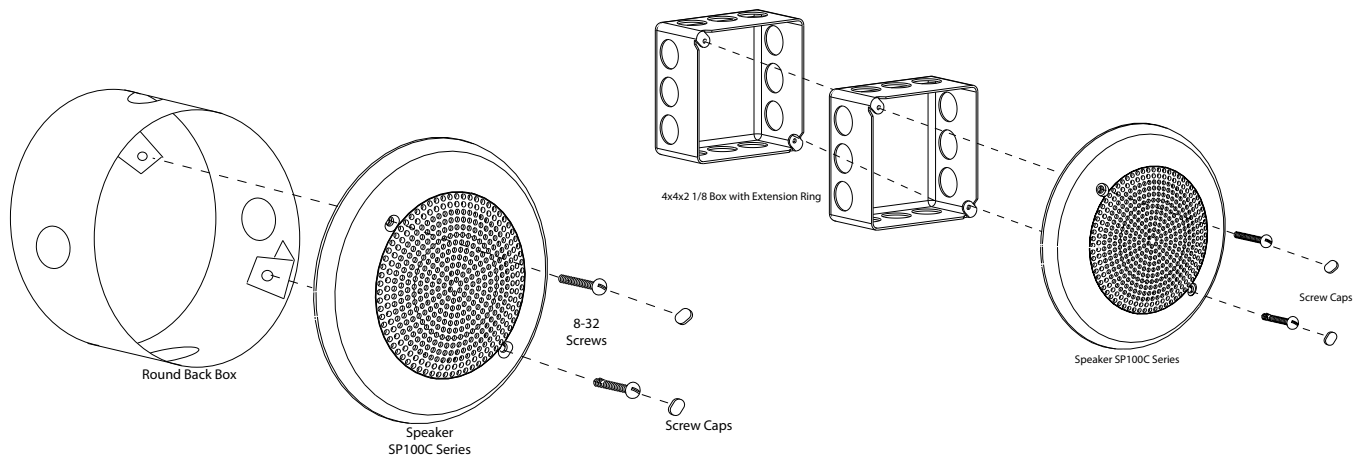
**Figure 1. Electrical connections:**



**Figure 2. Power Level Setting:**



**Figure 3. :**



## Ordering Information

Part No.	Description	Speaker Voltage
SP100C-25	Round 7" grill, 1/4 - 2 watt power tap	25.0 Vrms
SP100C-70	Round 7" grill, 1/4 - 2 watt power tap	70.7 Vrms