



Mini-Horns

The SpectrAlert® Advance series of mini-horn sounders are designed to simplify installations to provide primary and secondary signaling for fire and security applications.



SPECTRAlert
ADVANCE
from System Sensor

Features

- 12 and 24V operation
- High and low volume settings
- Temporal and non-temporal tones
- Mounts to single gang back box
- Low current draw
- Accelerated silence test feature on silencable models
- Mechanically and electrically compatible with PA400 series Mini-Alert™ sounders

The MHR and MHW mini-horns are ideal for residential, hotel or motel fire system applications, where a smaller notification device is desired. The mini-horns come in versions that offer high and low volume settings, temporal or non-temporal tones, synchronization and silencing to meet the intent of the National Building Code Section 3.2.4.18.9. The mini-horns can be mounted to single gang back boxes for aesthetically sensitive applications. Synchronization is provided on certain models when using the MDLA module. Mini-horns with silencing have an accelerated silence test feature which allows testing of the silence operation without waiting for the entire time-out period.

The MHR and MHW mini-horns can operate between 0 to 49C (32 to 120F) from a regulated DC or full-wave rectified, unfiltered power supply. They are listed to Underwriter's Laboratories of Canada CAN/ULC S525.

Agency Listings



SpectrAlert® Advance Mini-Horn Specifications

Architectural/Engineering Specifications

MHRZA/MHWZA

Mini-horns shall be a System Sensor Model MHRZA or MHWZA capable of operating at nominal 12 or 24VDC and shall mount to a single gang back box. Mini-horn shall be listed to Underwriter's Laboratories of Canada CAN/ULC S525. Mini-horns shall operate between 0 and 49 degrees Celsius (32 and 120 degrees Fahrenheit) from a regulated DC, or full-wave rectified, unfiltered power supply. When used with the Sync•Circuit™ Module Model MDLA, 12-volt rated notification appliance circuit outputs shall operate between 9 and 17.5 volts; 24-volt rated notification appliance circuit outputs shall operate between 16 and 33 volts. Mini-horns shall have settings for Hi/Low volume and temporal/continuous tones. A Silence feature shall be included to allow silencing of the mini-horn to meet the intent of the National Building Code Section 3.2.4.18.9. Mini-horns shall have the ability of an accelerated silence test feature and shall be able to operate from either continuous or coded NAC circuits.

MHRA/MHWA

Mini-horns shall be a System Sensor Model MHRA or MHWA capable of operating at nominal 12 or 24VDC and shall mount to a single gang back box. Mini-horn shall be listed to Underwriter's Laboratories of Canada CAN/ULC S525. Mini-horns shall operate between 0 and 49 degrees Celsius (32 and 120 degrees Fahrenheit) from a regulated DC, or full-wave rectified, unfiltered power supply. When used with the Sync•Circuit™ Module Model MDLA, 12-volt rated notification appliance circuit outputs shall operate between 9 and 17.5 volts; 24-volt rated notification appliance circuit outputs shall operate between 16 and 33 volts. Mini-horns shall have settings for Hi/Low volume and temporal/continuous tones. Mini-horns shall be able to operate from either continuous or coded NAC circuits.

MHR1A/MHW1A

Mini-horns shall be a System Sensor Model MHR1A or MHW1A capable of operating at nominal 12 or 24VDC and shall mount to a single gang back box. Mini-horn shall be listed to Underwriter's Laboratories of Canada CAN/ULC S525. Mini-horns shall operate between 0 and 49 degrees Celsius (32 and 120 degrees Fahrenheit) from a regulated DC, or full-wave rectified, unfiltered power supply. Mini-horns shall be able to operate from either continuous or coded NAC circuits.

Physical Specifications

| | |
|------------------------------------|-----------------------------|
| Dimensions | See Mechanical Drawing |
| Weight | 2.67 oz. |
| Operating Temperature Range | 0°C to 49°C (32°F to 120°F) |
| Mounting | Single-gang |

Electrical Specifications

| | |
|--------------------------------------|---|
| Input Terminals | 12 to 18 AWG |
| Nominal Voltage | Regulated 12VFWR, special application 12VDC, regulated 24DC/FWR |
| Operating Voltage | 8-33VFWR, 9.5-33VDC (MHRZA/MHWZA 16-33VFWR/DC) |
| Operating Voltage with MDLA | 9-33VFWR, 9.5-33VDC |
| Sounder Frequency | 3 KHZ(nominal) |
| Silence Time (MHRZA/MHWZA) | 10 minutes max. |
| Silence Reset | 4 seconds TYP. |
| Power down Time (MHRZA/MHWZA) | |

Sound Output (dBA) in Anechoic Room

MHR1A/MHW1A

| Tone | Power Supply | 12V | 24V |
|------------|--------------|------|------|
| Continuous | DC | 87.9 | 92.9 |
| | FWR | 90.5 | 91.9 |

MHRA/MHWA

| Switch Position | Sound Pattern | Volume | Power Supply | Voltage | |
|-----------------|---------------|--------|--------------|---------|------|
| | | | | 12 | 24 |
| 1 | Temporal | High | DC | 87.1 | 91.8 |
| | | | FWR | 90.8 | 91.7 |
| 2 | Temporal | Low | DC | 86 | 90 |
| | | | FWR | 90 | 90 |
| 3 | Non-Temporal | High | DC | 87 | 91 |
| | | | FWR | 89 | 91 |
| 4 | Non-Temporal | Low | DC | 86 | 90 |
| | | | FWR | 88 | 90 |

MHRZA/MHWZA

| Switch Position | Sound Pattern | Volume | Power Supply | Voltage |
|-----------------|---------------|--------|--------------|---------|
| | | | | 24 |
| 1 | Temporal | High | DC | 91.8 |
| | | | FWR | 92 |
| 2 | Temporal | Low | DC | 89 |
| | | | FWR | 89 |
| 3 | Non-Temporal | High | DC | 90 |
| | | | FWR | 89 |
| 4 | Non-Temporal | Low | DC | 87 |
| | | | FWR | 86 |

Current Draw (mA RMS)

MHR1A/MHW1A

| Tone | Power Supply | 12V | 24V |
|------------|--------------|------|------|
| Continuous | DC | 11.5 | 19.8 |
| | FWR | 11.4 | 17.6 |

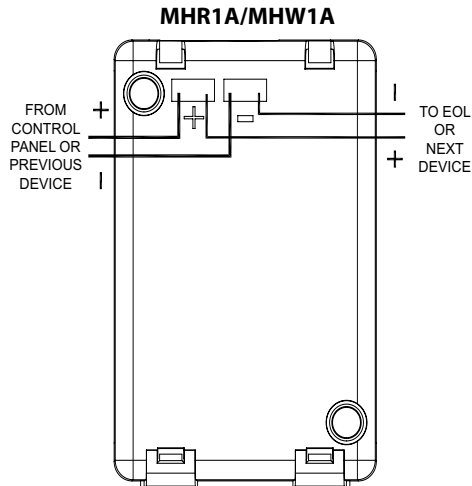
MHRA/MHWA

| Switch Position | Sound Pattern | Volume | Power Supply | Voltage | |
|-----------------|---------------|--------|--------------|---------|------|
| | | | | 12 | 24 |
| 1 | Temporal | High | DC | 12.6 | 22.1 |
| | | | FWR | 15.0 | 23.0 |
| 2 | Temporal | Low | DC | 10.3 | 16.6 |
| | | | FWR | 12.1 | 18.8 |
| 3 | Non-Temporal | High | DC | 13.6 | 23.0 |
| | | | FWR | 14.6 | 21.8 |
| 4 | Non-Temporal | Low | DC | 10.2 | 16.6 |
| | | | FWR | 12.1 | 18.8 |

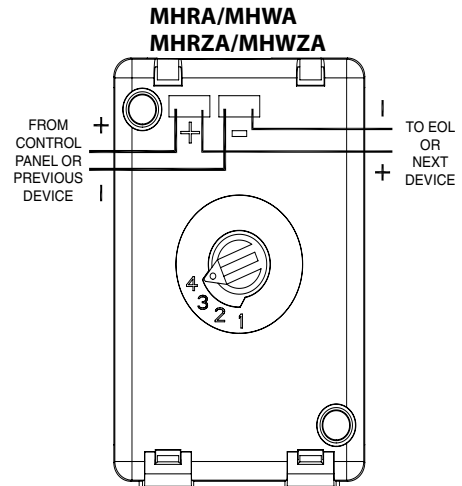
MHRZA/MHWZA

| Switch Position | Sound Pattern | Volume | Power Supply | Voltage |
|-----------------|---------------|--------|--------------|---------|
| | | | | 24 |
| 1 | Temporal | High | DC | 24.1 |
| | | | FWR | 24.3 |
| 2 | Temporal | Low | DC | 18.2 |
| | | | FWR | 20.8 |
| 3 | Non-Temporal | High | DC | 24.4 |
| | | | FWR | 23.8 |
| 4 | Non-Temporal | Low | DC | 18.2 |
| | | | FWR | 20.5 |

Wiring Diagrams

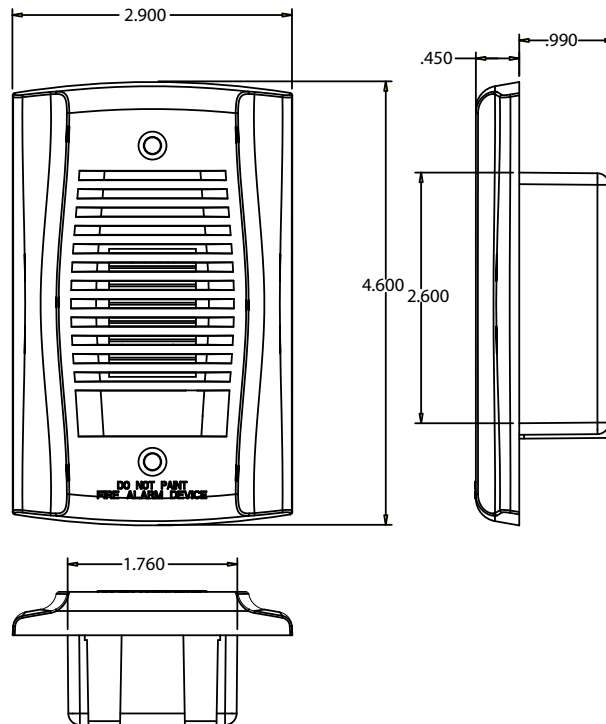


NOTE: SHOWN WITH CONTROL PANEL IN ALARM. PANEL POLARITY REVERSED IN SUPERVISORY CONDITION.



NOTE: SHOWN WITH CONTROL PANEL IN ALARM. PANEL POLARITY REVERSED IN SUPERVISORY CONDITION.

Mechanical Drawing



Ordering Information

| Part No. | Description |
|----------|--|
| MHR1A | Mini-Horn, Red |
| MHW1A | Mini-Horn, White |
| MHRA | Mini-Horn, Red, Selectable Tone and Volume, Synchronizable |
| MHWA | Mini-Horn, White, Selectable Tone and Volume, Synchronizable |
| MHRZA | Mini-Horn, Red, Silencable, Selectable Tone and Volume, Synchronizable |
| MHWZA | Mini-Horn, White, Silencable, Selectable Tone and Volume, Synchronizable |



6-6581 Kitimat Road • Mississauga ON, L5N 3T5
Phone: 800-SENSOR2 • www.systemsensor.ca

©2007 System Sensor.
Product specifications subject to change without notice. Visit www.systemsensor.com for current product information, including the latest version of this data sheet.
A05-0414-000 • 1/07 • #1743